

# PREMIUM EFFICIENCY INDUCTION MOTORS



## Premium Efficiency Induction Motors

EIM Induction Motors, are ideal for commercial and industrial applications and are capable of providing constant torque at variable speed ranges. Ideal for machine movement applications.

### Features:

- Inverter duty motor
- C-Face footless
- Side mounted terminal box
- Wide range of voltages available
- Continuous duty at 40° C
- CE mark

## Parts and Services for Superior Performance

### Technical Data

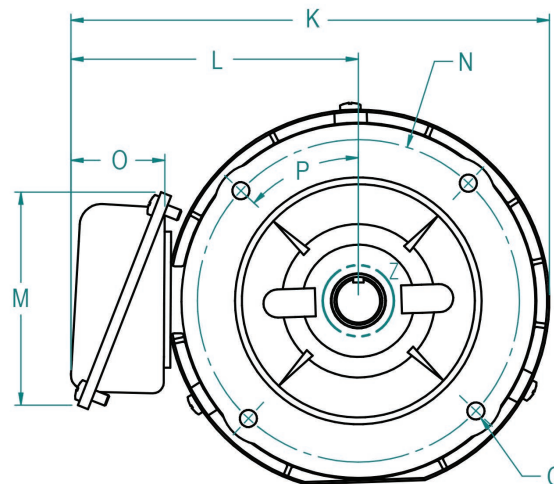
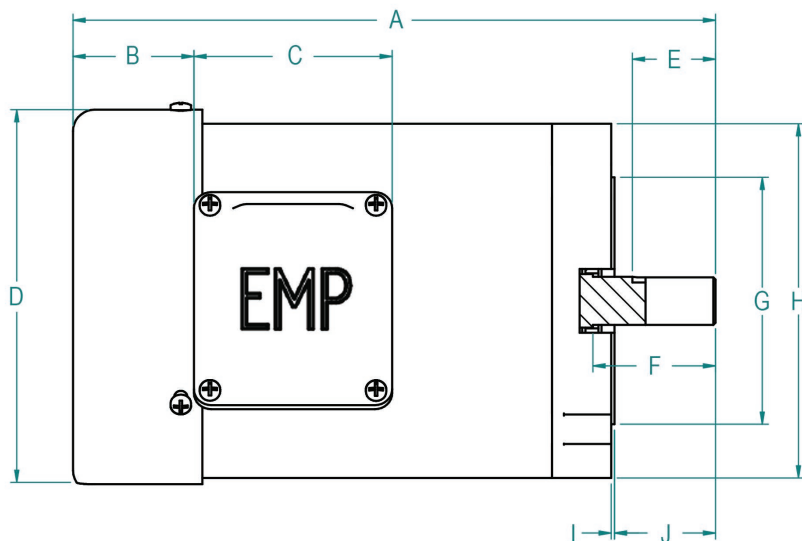
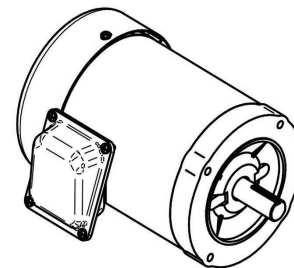
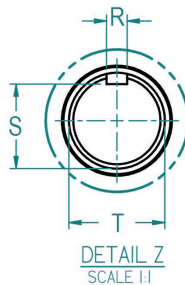
Model #	HP	RPM	Volts	Enclosure	Nema Frame	F.L. Amps	Weight (lb)
EMC 0246-4	2	1800	230/460	TEFC	145TC	5.4/2.7A	38.6
EMC 0257-4	2	1800	575	TEFC	145TC	2.3A	38.6

### Electrical and Mechanical Parts

1930 52nd Avenue, Lachine, Québec, Canada H8T 2Y3  
T.: +1.514.633.5933 E.: info@emp-ds.com

[emp-ds.com](http://emp-ds.com)

# EIM Series



emp-ds.com

## EMP MODEL: EMC 0246-4 & EMC 0257

Units	A	B	C	D	E	F	G	H	I	J
Mm	297.7896	56.0578	91.8972	172.5422	38.5064	56.7944	114.3	164.0078	1.4986	46.8122
Inches	11.724	2.207	3.618	6.793	1.516	2.236	4.500	6.457	0.059	1.843

Units	K	L	M	N	O	P	Q
Mm	221.7166	133.223	97.6376	149.225	43.5356	47°	Ø 7.9248
Inches	8.729	5.245	3.844	5.875	1.714	47°	Ø 0.312

Units	R	S	T
Mm	4.8006	19.5834	22.225
Inches	0.189	0.771	0.875